

CERTIFICATION



HACCP International



ISO9001

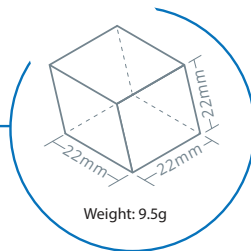
ICE MATE

by  HOSHIZAKI

SRM-270AB-B-501SA

ICE MAKER

DICE



ICEMATE is committed to bringing high-efficiency / energy-saving, and high quality ice-making product to people who have dreams and desire to create their own business with the best scientific technology and manufacturing technology.

KEY FEATURES

SAFETY AND HYGIENE ASSURED ICE MACHINE

AUTO-CLEANING



Timely maintenance of water system can extend life of equipment.

PURE ICE



Overflow self-cleaning function, ensuring ice hygiene

IoT



Slow melt Dilution



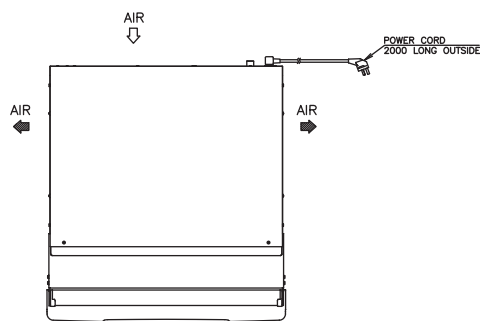
Slow Dilution
Slower melting speed due to -7°C of inside temp of ice cube

Powerful Ice Making

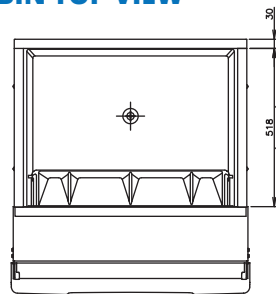


Energy & Water Saving, Quiet Operation

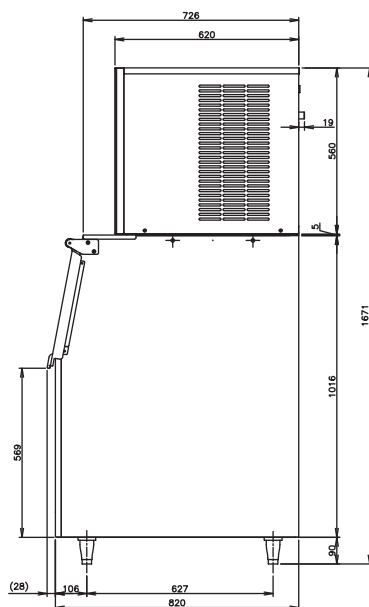




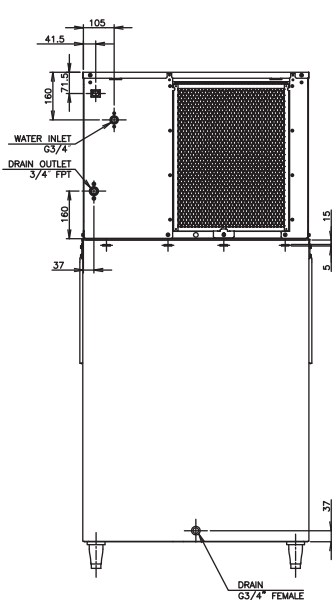
BIN TOP VIEW



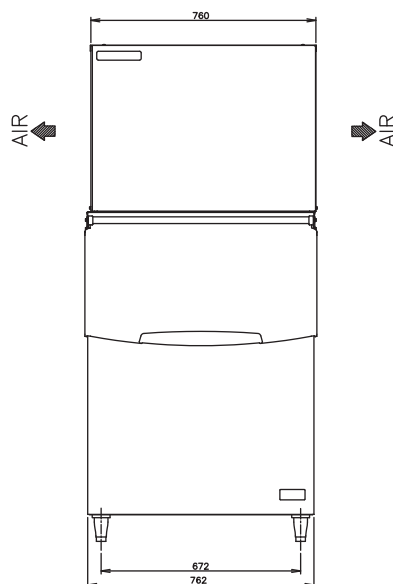
RIGHT SIDE



BACK SIDE



FRONT SIDE



SPECIFICATIONS

Ice Dimensions (W x D x H)	22 x 22 x 22 mm
Outside Dimensions (W x D x H)	762 x 820 x 1671 (~1701) mm
Package Dimensions (W x D x H)	Ice Maker: Pallet+Carton: 850 x 710 x 750mm Storage Bin: 866 x 924 x 1138mm
Weight (Net / Gross)	Ice Maker: 59kg / 78kg Storage Bin: 47kg / 57kg
Amperage / Starting Amperage	6.4A/24A
Electrical Consumption	(AT32°C / WT21°C) 861W
Refrigerant Charge	R404A/620g
Ice Storage Capacity	Maximum 217 kg
Ice Production per 24H	(AT10°C / WT10°C) Approx. 270 kg (AT21°C / WT15°C) Approx. 225 kg (AT32°C / WT21°C) Approx. 180 kg

Water Consumption per 24H	(AT32°C/WT21°C) 0.19m ³ (1.1 L / kg Ice)
Ice Production Freeze Cycle Time	(AT21°C/WT15°C) 14.5 min
Ice Production per Cycle	(AT21°C/WT15°C) Approx. 2.41kg / 260pcs

OPERATING CONDITIONS

Voltage Range	198 - 242 V
Ambient Temperature	5 - 38°C
Water Supply	5 - 32°C
Water Supply Pressure	0.07 - 0.55 Mpa (0.7 - 5.5 bar)
Supply Voltage	1/220 - 240V / 50Hz



HOSHIZAKI

HOSHIZAKI VIETNAM CORPORATION

168/14 Nguyen Gia Tri, Thanh My Tay Ward, Ho Chi Minh City Vietnam 760000
TEL +84 0 916 161 346 | <https://hoshizaki-sea.com/>